

SPB209

max 990 kg

max 2500 x 770 x 1600 mm

max 7.9 m

max 6.5 m

The smallest in the range but it still does it all: compact, cheap, simple and safe.

ATM-LEVAGE
Location de grues & mini grues

Technical Information

Dimension	2500 x 770 x 1600 mm
Stab. Area	3000 x 3000 mm

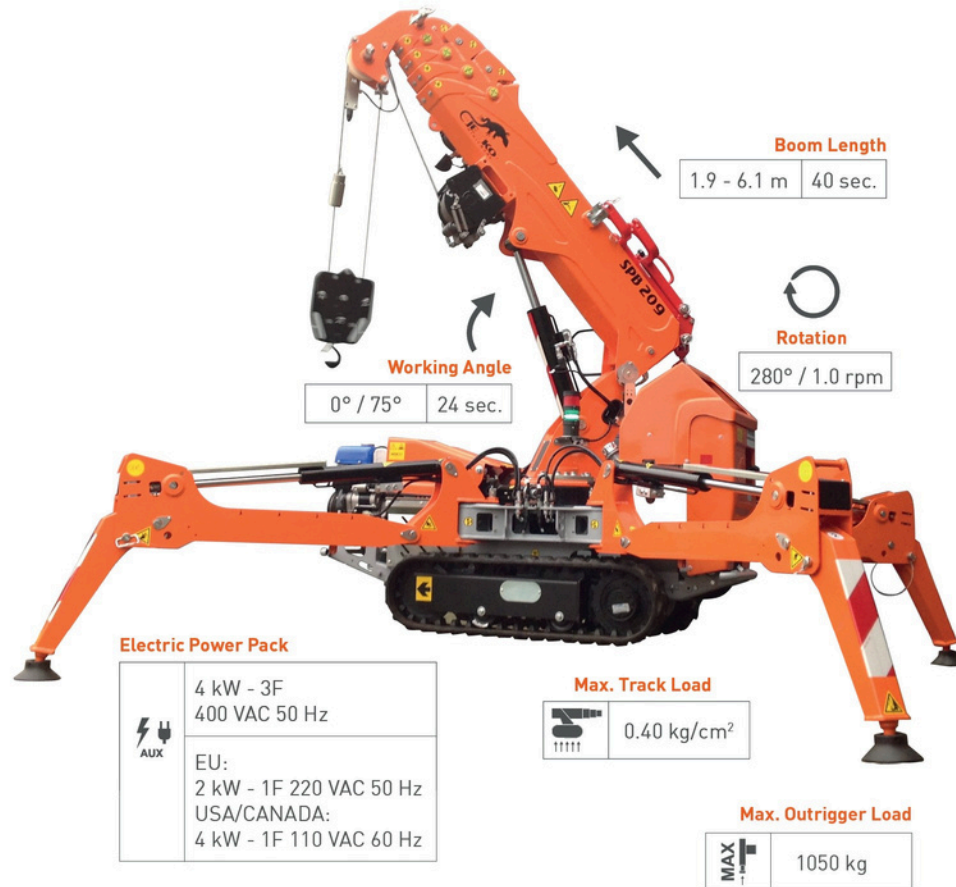
		Kg
	SPB209	1450
	2T-D7	20
	PP400-4DX PP220-4DX PP220-2DX	45
	JIB800GB	25

SPB209	Petrol Engine	YAMAHA MZ 360	7.6 kW 10.4 Hp
--------	---------------	---------------	-------------------

Speed		1.7 km/h
-------	--	----------

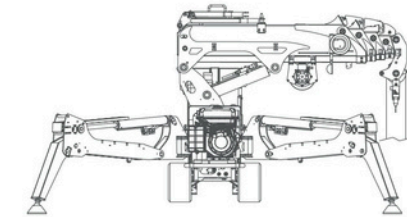
Gradability		20°
-------------	--	-----

Ext. Tracks		770-1065 mm
-------------	--	-------------



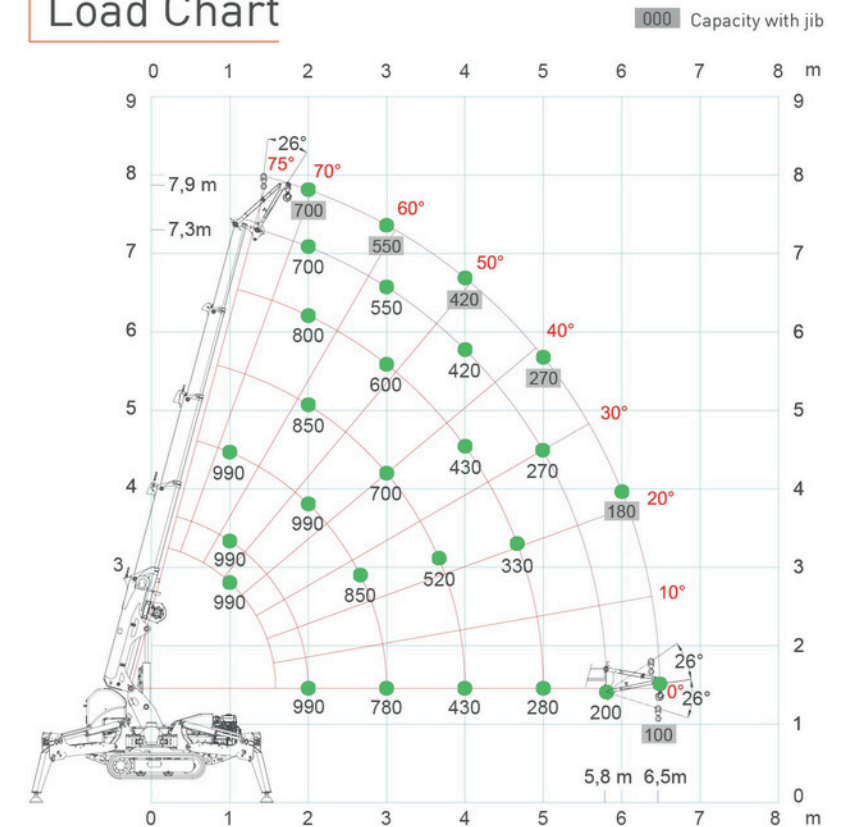
Winch & Fall Stages

Main Winch	400 kg (Single line) 53 m - Ø 6 mm 15.1-31.8 m/min.
------------	---

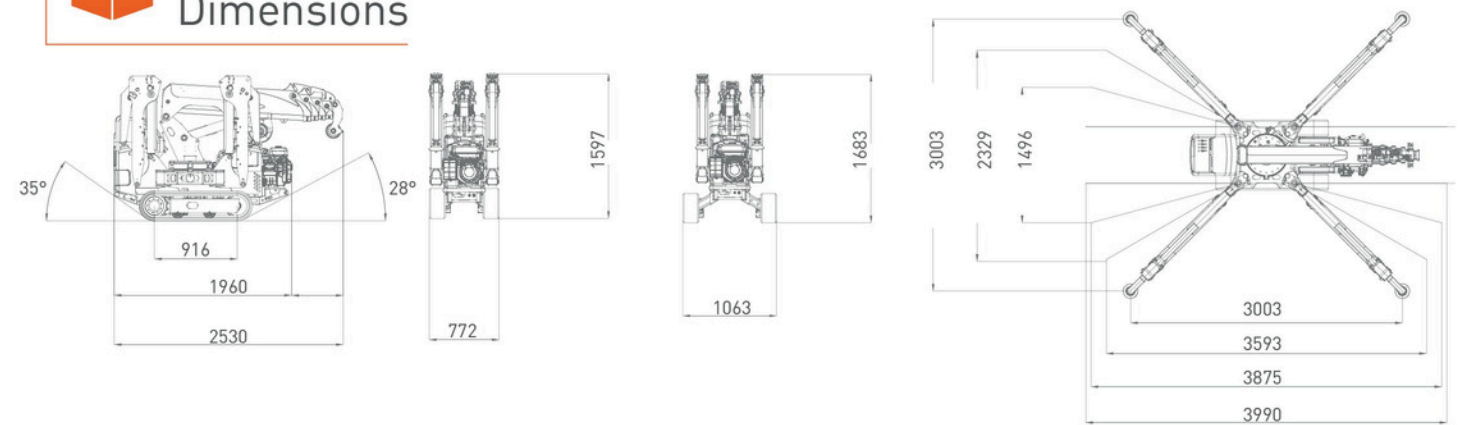


Max. Capacity	Line	Metres
990 kg	2	-22 m
495 kg	1	-46 m

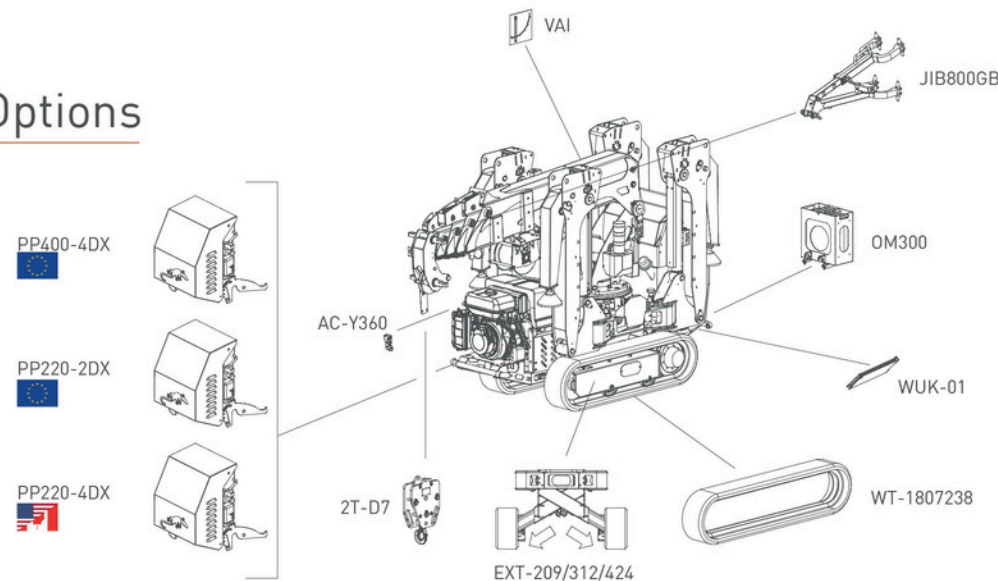
Load Chart



Dimensions



Crane Options



- A2B
- BPI
- CCI
- DTC
- EKT
- GSC
- LMI
- P&C
- PPA
- SCI
- TH
- VW
- RCD
- 2SW
- 2ST

Tools Configurations

JIB800GB	
	800 kg
	700 kg @ 7.9 m
	100 kg @ 6.5 m